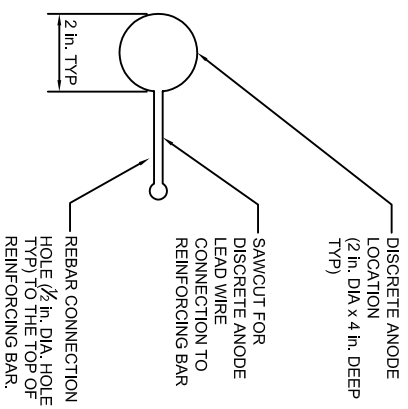
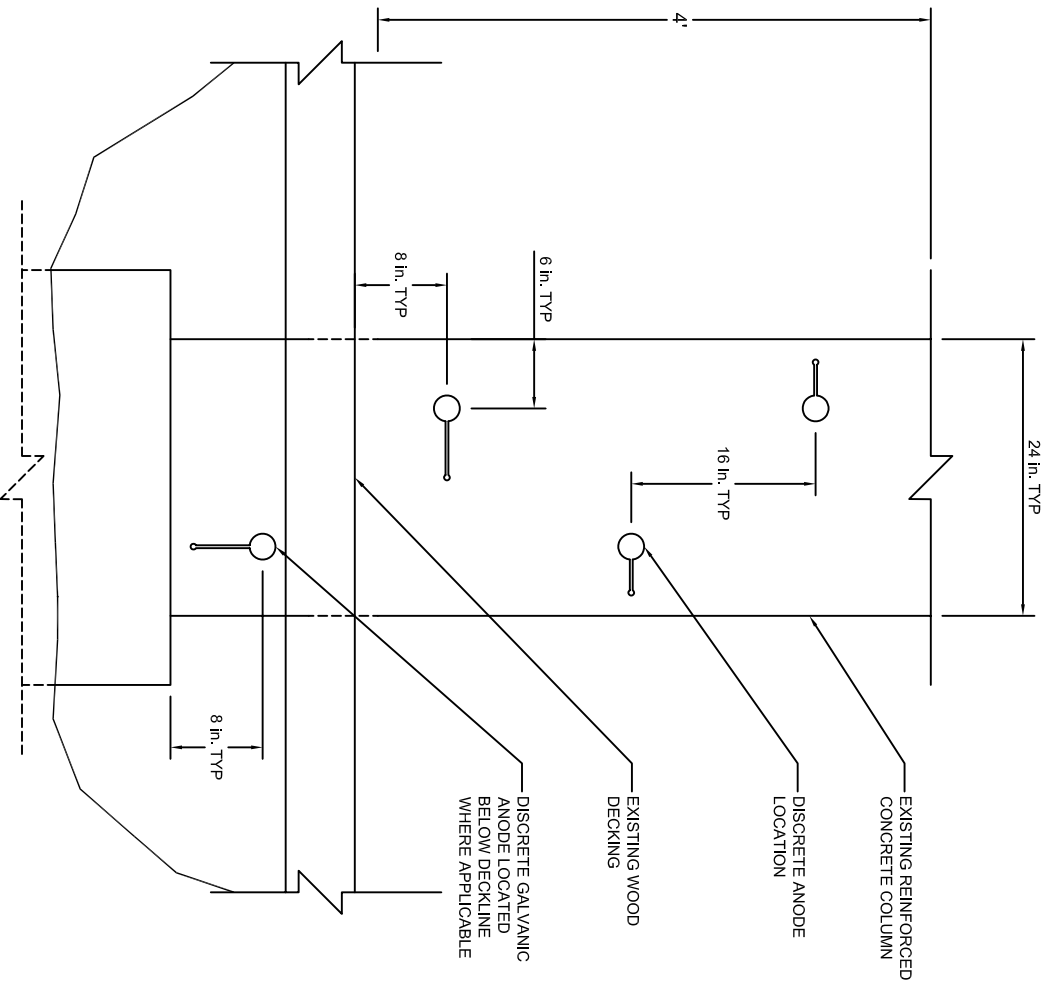


**TARGETED
CORROSION
MITIGATION WITH
DISCRETE
ANODES**



1. Locate reinforcing steel.
2. Layout discrete anode location as per specification, making sure to avoid reinforcing steel.
3. Drill or chip hole for reinforcing connection.
4. Drill hole for anode placement.
5. Make sawcut between anode and reinforcing steel hole for wire connection.
6. Connect wire lead to reinforcing steel with hose clamp or expansion rebar connection.
7. Verify electrical continuity between connections and correct as required.
8. Ensure all connections of dissimilar metals are coated with silicone or epoxy.
9. Pre-soak anodes for 10 to 30 minutes prior to installation.
10. Install anodes and grout in holes and sawcut with a low resistivity mortar.

ATALAYA TOWERS
MURELLES' INLET, SC

DISCRETE GALVANIC ANODE
INSTALLATION (TYP)

DRAWN BY: A.K.H. DATE: NOV 2004